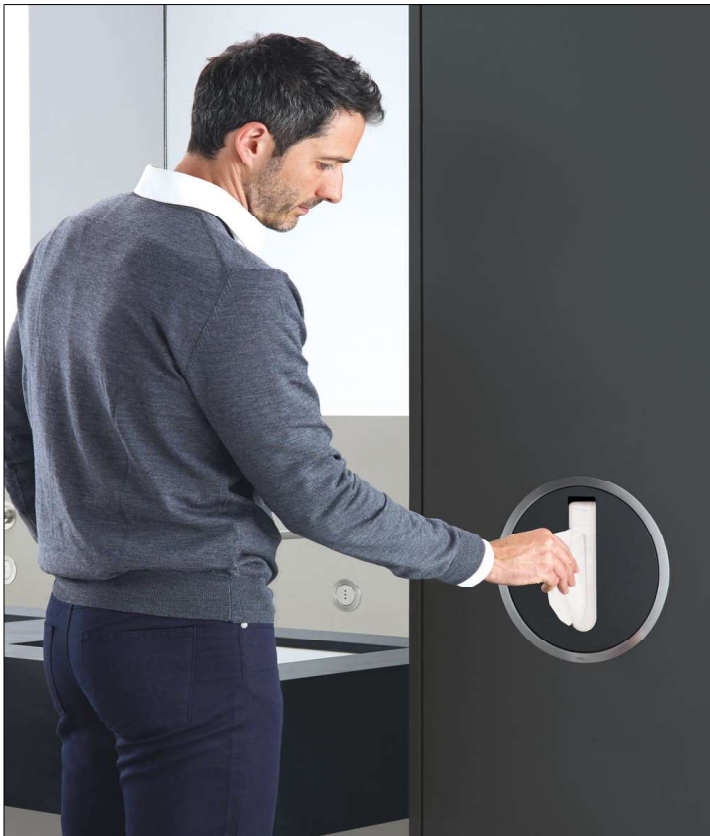


Date:

Client:

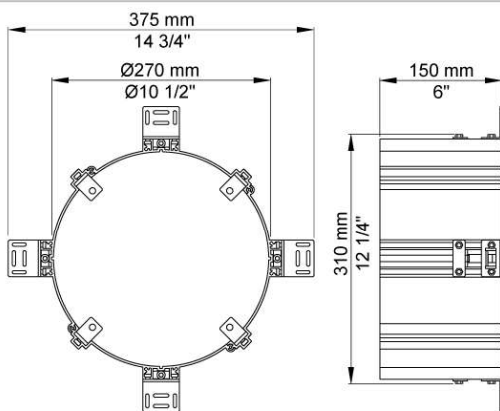
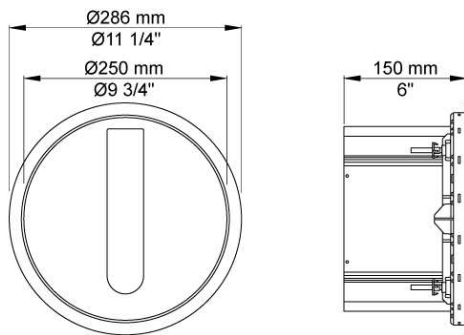
Project:

VOLA product: RS2



RS2

Build-in tissue dispenser. Build-in depth: 150 mm. Diameter incl. ring: 286 mm. Capacity 80-100 tissues. Size 85 mm x 205 mm. Type: Tork no: 100297 (www.sca-tork.com). Lotus Professional no: 5892690 (www.lotusprofessional.eu). Care Ness no: 114013 (www.abena.dk). The visual part consists of: Ring, material: High polished chrome, natural brass, brushed chrome, brushed stainless steel or 14 different colours. Container, material frontplate: PC/ABS laquered, surface colour white or black.



Available in colors

- Color 02, Grey
- Color 04, Light blue
- Color 05, Orange
- Color 06, Light green
- Color 08, Yellow
- Color 09, Dark grey
- Color 12, Mocca
- Color 14, Bright red
- Color 15, Dark blue
- Color 16, Polished chrome
- Color 17, Gloss black
- Color 18, White
- Color 19, Natural brass
- Color 20, Brushed chrome
- Color 21, Carmine red
- Color 25, Pink
- Color 27, Matt black
- Color 40, Brushed stainless steel