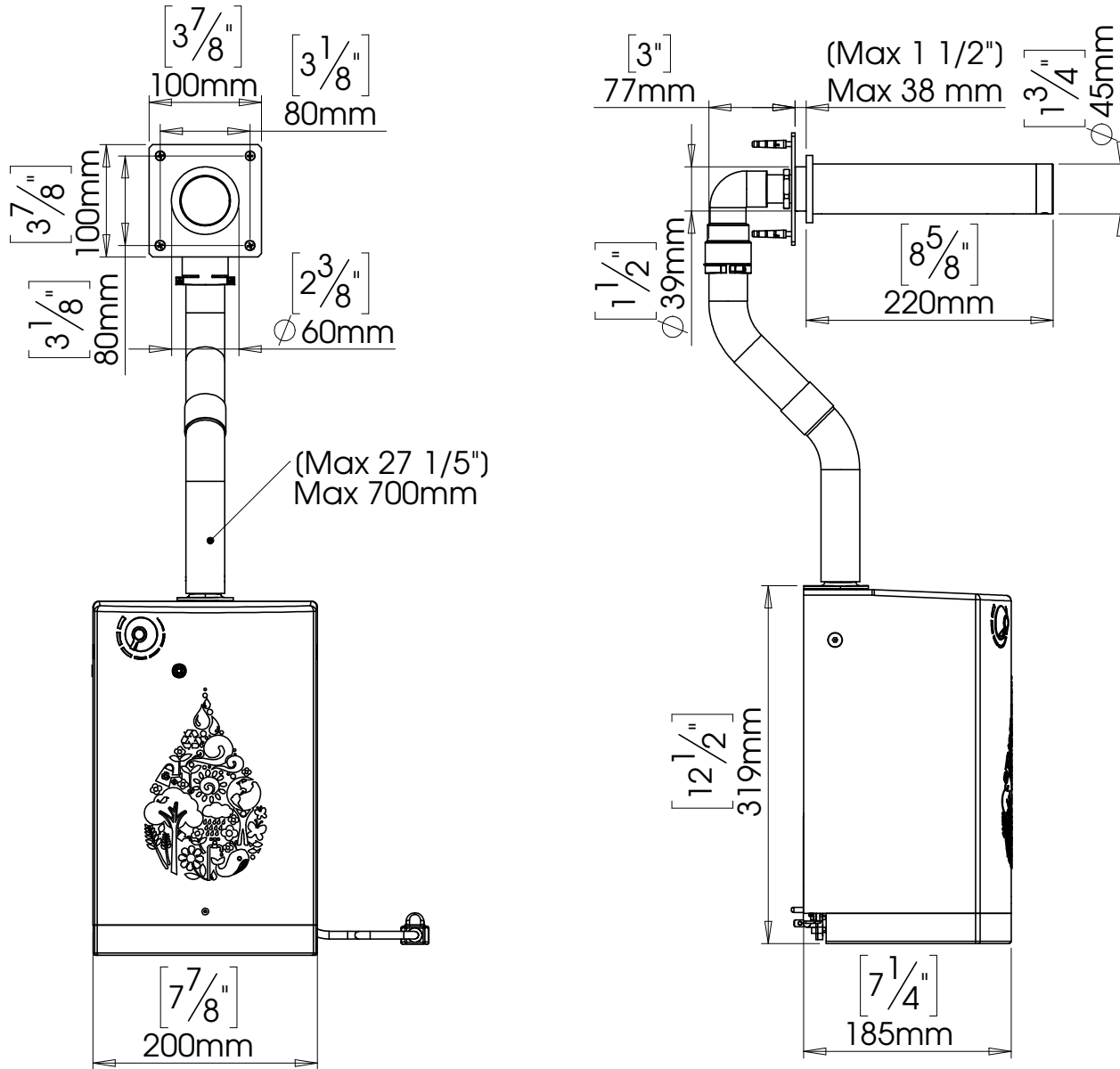


RONDA DP SM



TECHNICAL SPECIFICATIONS

ITME CATEGORY	PERFORMANCE DATA
Operating Voltage	110-120 Vac, 50/60 Hz, 12.2-13.4 A, 1.34-1.6 Kw 220-240 Vac, 50/60 Hz, 6.1-6.7 A, 1.34-1.6 Kw
Motor Thermal Protection	Auto Resetting Thermostat turns unit off, 120V at 135 °C (275 °F), 240V at 95 °C (203 °F)
Heater Element	450-900 W, adjustable
Heater Thermal Protection	Auto Resetting Thermostat turns unit off at 85 °C [185 °F] Thermal fuse cuts unit off at 142 °C [288 °F]
Standy by Power	0.3-0.4 W
Circuit Operation	infrared Automatic, self adjusting
Sensor Range	3" to 18" [80 mm to 450 mm], Adjustable; standart 8.66" [220 mm \pm 20 mm]
Timing Protection	60 seconds auto shut off
Drip proof	IP 21 \blacklozenge